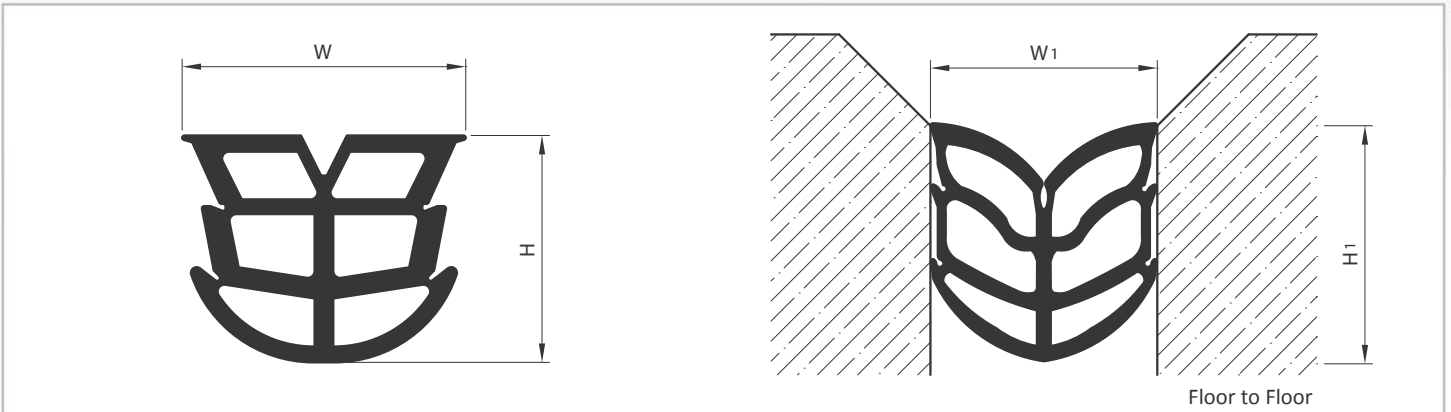
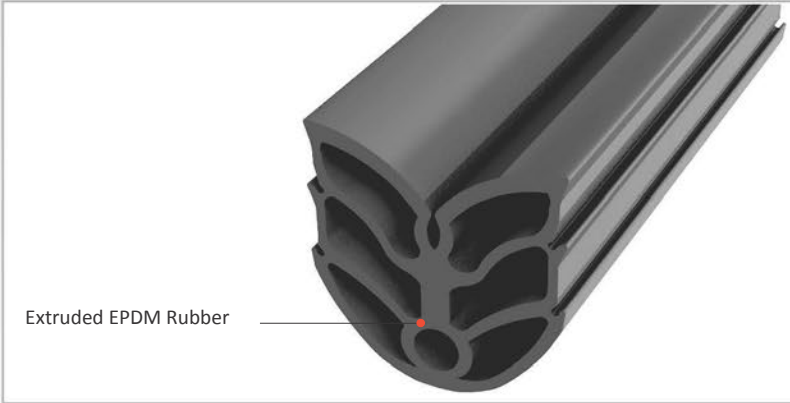




AS U142 is a one-piece, extruded EPDM elastomeric seal and designed for wall & ceiling applications. It can be used between structural gaps to absorb multi-directional movements. Sound insulation, chemical resistance quick installation and operating temperature from -35° to +90° are the main advantages of AS U142. It also functions as a watertight profile if it's adhered to the application area with silicone or similar adhesive.

- Application Areas** : Indoor & Outdoor / Wall & Ceiling
Ideal for : Shopping Malls, Residences, Hospitals, Hotels, Commercial & Public Buildings etc.
Material : EPDM Rubber
Optional Supplies : Fire Barrier

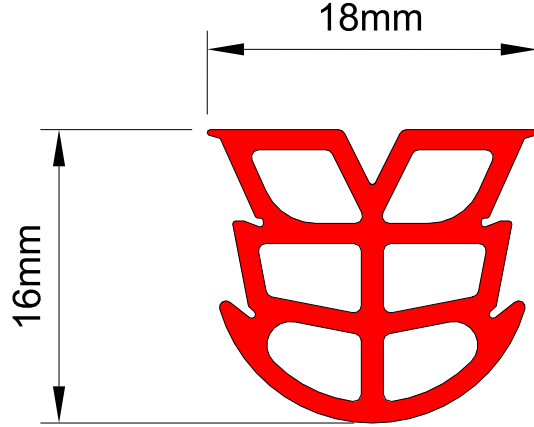


* Visuals are representative and the profile configuration may differ depending on the characteristics requested.

COLOR **BLACK**

| LOCATION | MODEL | PROFILE DIMENSIONS | | | MINIMUM DIMENSIONS FOR INSTALLATION(mm) | | OPERATING RANGE AFTER INSTALLATION(mm) | | TOTAL MOVEMENT ABILITY (mm) | MINIMUM ORDER QUANTITY (mt) |
|--------------|----------------|--------------------|----------------|----------------|-----------------------------------------|--------------------------|----------------------------------------|-----|-----------------------------|-----------------------------|
| | | WIDTH(W) (mm) | HEIGHT(H) (mm) | Length (L) (m) | WIDTH (W _i) | HEIGHT (H _i) | MIN | MAX | | |
| Wall To Wall | AS U142 16-16 | 16 | 16 | 50 | 9 | 25 | 7 | 11 | 4 | 2000 |
| | AS U142 18-16 | 18 | 16 | 50 | 10 | 25 | 8 | 14 | 6 | 2000 |
| | AS U142 25-20 | 25 | 20 | 50 | 15 | 30 | 12 | 19 | 7 | 1000 |
| | AS U142 34-30 | 34 | 30 | 25 | 20 | 40 | 16 | 25 | 9 | 1000 |
| | AS U142 42-30 | 42 | 30 | 25 | 25 | 45 | 21 | 31 | 10 | 500 |
| | AS U142 63-45 | 63 | 45 | 25 | 32 | 70 | 27 | 45 | 18 | 400 |
| | AS U142 83-60 | 83 | 60 | 25 | 50 | 90 | 40 | 60 | 20 | 250 |
| | AS U142 183-54 | 183 | 54 | 20 | 110 | 90 | 75 | 165 | 92 | 250 |

Note: Please ask for different size
 Minimum order quantity will be applied if the inquired quantity is not available in stock



AS U142 18-16

| | |
|-------------------------------------------------------------------|-------------|
| Profile Dimensions Width(W)(mm) / Height(H)(mm) / Length(L)(m) | 18/16/50 |
| Nominal Width (mm) | 18 |
| Nominal Height (mm) | 16 |
| Movement Ability (mm) approx. | 6 |
| Narrowest Opening (mm) | 8 |
| Widest Opening (mm) | 14 |
| Color | Black |
| Material | EPDM Rubber |